

# Air-X Land / Air-X Marine

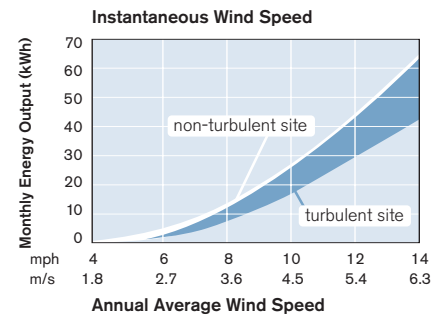
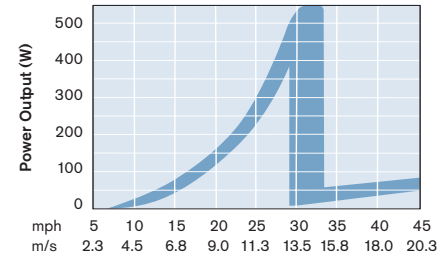
## Technical Specifications

<b>Rotor Diameter</b>	46 inches (1.15 m)
<b>Weight</b>	13 lbs (5.85 kg)
<b>Shipping Dimensions</b>	27 x 15 x 9" (686 x 38 x 228 mm) 17 lbs. (7.7 kg)
<b>Mount</b>	1.5" schedule 40 pipe (1.9" OD, 48 mm)
<b>Start-Up Wind Speed</b>	8 mph (3.58 m/s)
<b>Voltage</b>	12, 24, 34 and 48 VDC
<b>Rated Power</b>	400 watts at 28 mph (12.5 m/s)
<b>Turbine Controller</b>	Microprocessor-based smart internal regulator with peak power tracking
<b>Body</b>	Cast aluminum (AirX Marine is powder coated for corrosion protection)
<b>Blades</b>	(3) Carbon fiber composite
<b>Overspeed Protection</b>	Electronic torque control
<b>Kilowatt Hours Per Month</b>	38 kWh/mo @12 mph (5.4 m/s)
<b>Survival Wind Speed</b>	110 mph (49.2 m/s)
<b>Warranty</b>	3 Year Limited Warranty

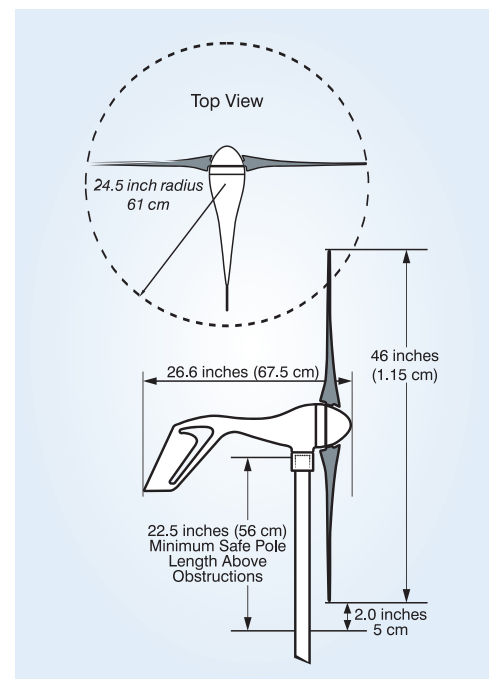


MADE IN THE USA

## Performance Curves



## Sphere of Operation



0083 REV C 11-06